



Samples Specifications

Model No **EA-01L4Q09**

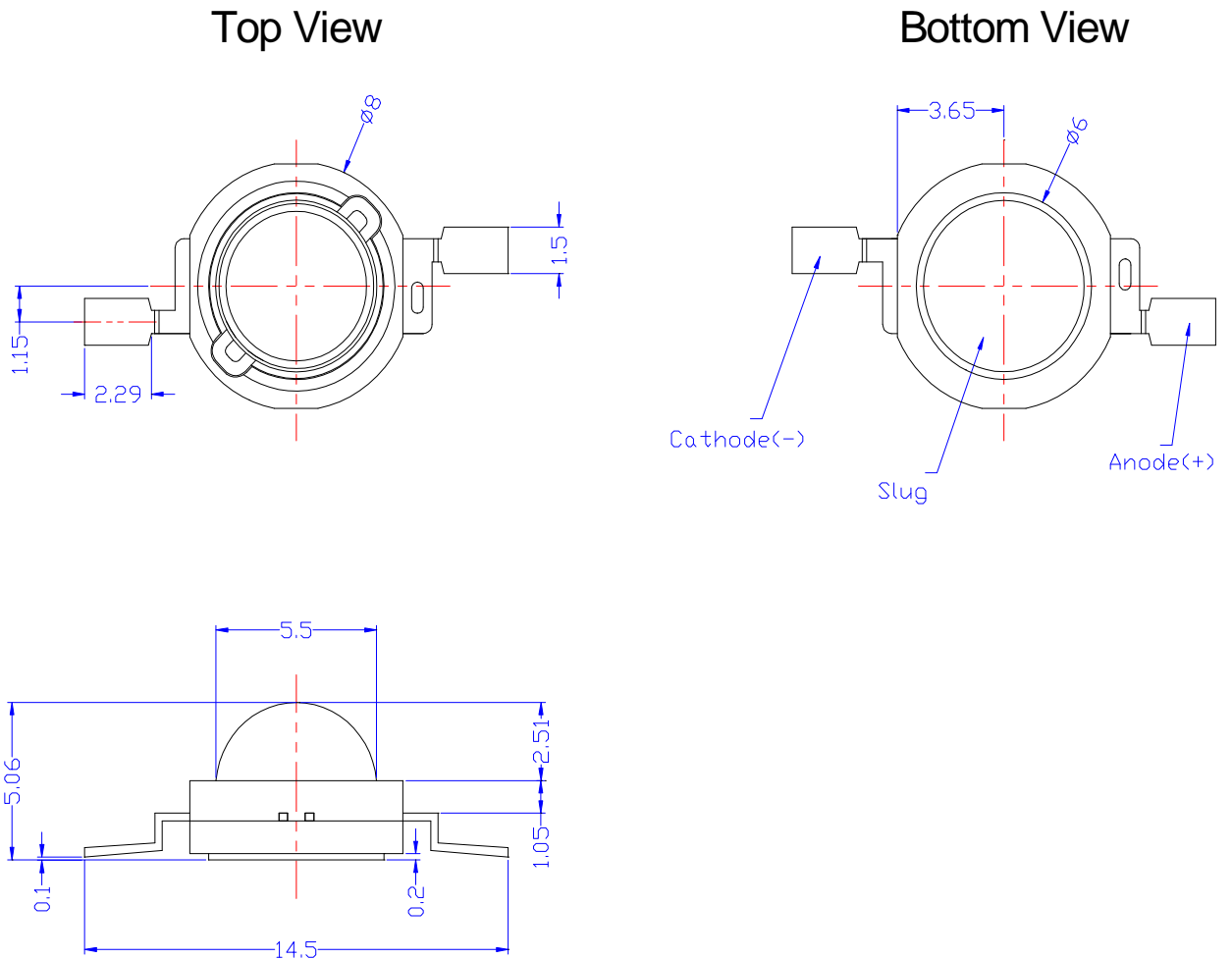
Power LED –Warm White

Client Signature			Company Signature		
Approved	Acceptance	Stamp	sales	Approved	Creation



E+A LED's

■ Dimension Drawing



Note.:

1. All dimensions are in millimeters.
2. All dimensions without tolerances are for reference only
3. The package material of the body is heat-resistance polymer, and the plating material of the lead frame is Ag.

Photometric Luminous Flux Bin Structure

Characteristics for P001L4 1W series

1. Typical Electrical & Optical Characteristics at $I_F=350\text{mA}$, $T_A = 25^\circ\text{C}$

Parameter	Symbol	Value			Unit
		Min.	Typ.	Max.	
Luminous Flux	Φ_V	80	85	90	lm
CCT	CCT		3400		K
Forward Voltage	V_F		3.2		V
View Angle	2Θ 1/2	Lambertian	140	deg.	
Thermal resistance	R_{J-B}	12		$^\circ\text{C/W}$	

2. Absolute Maximum Ratings

Parameter	Symbol	Value	Unit
Forward Current	I_F	350	mA
Power Dissipation	P_D	1.6	W
Junction Temperature	T_J	125	$^\circ\text{C}$
Operating Temperature	T_{opr}	-30~80	$^\circ\text{C}$
Storage Temperature	T_{stg}	-30~120	$^\circ\text{C}$
ESD Sensitivity	-	1000	V HBM

Notes:

- The measured value is tested by an integrator system.
- Tolerance of measurement of luminous flux $\pm 10\%$
- Tolerance of measurement of CCT $\pm 5\%$
- Tolerance of measurement of forward voltage $\pm 0.05\text{V}$
- R is measured with an Xpower Star PCB.
- Do not drive at rated current more than 5 sec. without heatsink for Xpower emitter series.

Wavelength Characteristics, $T_A=25^\circ\text{C}$

Fig.1 RELATIVE INTENSITY VS. WAVELENGTH

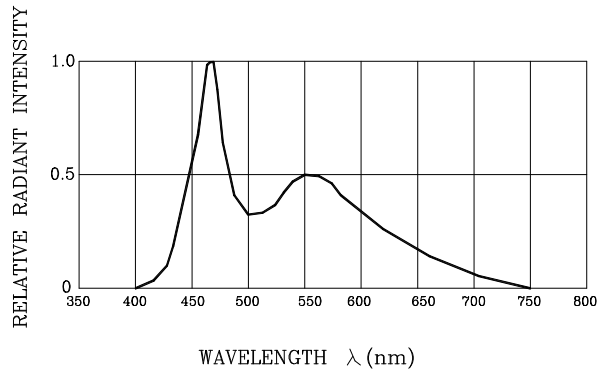


Fig.2 FORWARD CURRENT DERATING CURVE

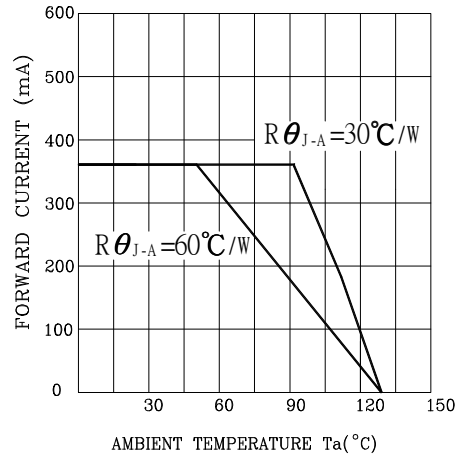


Fig.3 FORWARD CURRENT VS. FORWARD VOLTAGE

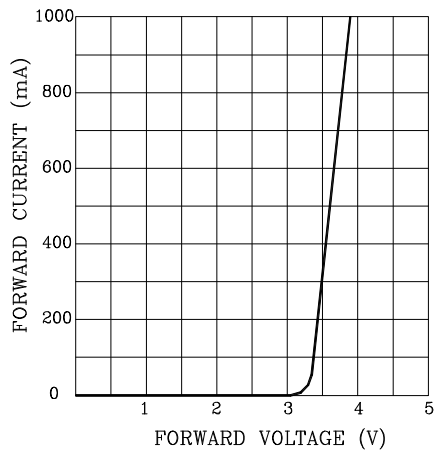


Fig.4 RELATIVE LUMINOUS INTENSITY VS. AMBIENT TEMPERATURE

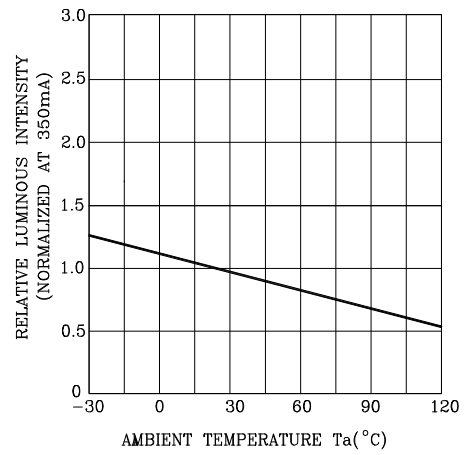


Fig.5 RELATIVE LUMINOUS INTENSITY VS. FORWARD CURRENT (at Tj=25°C)

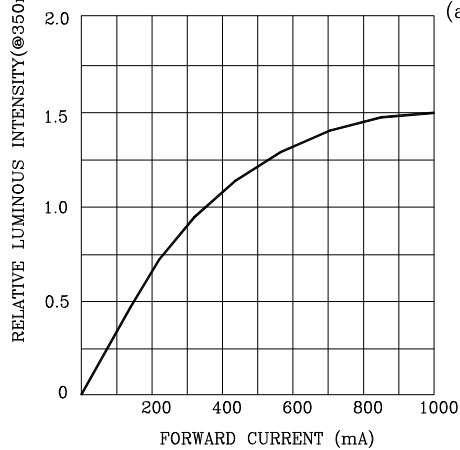


Fig.6 RADIATION DIAGRAM

